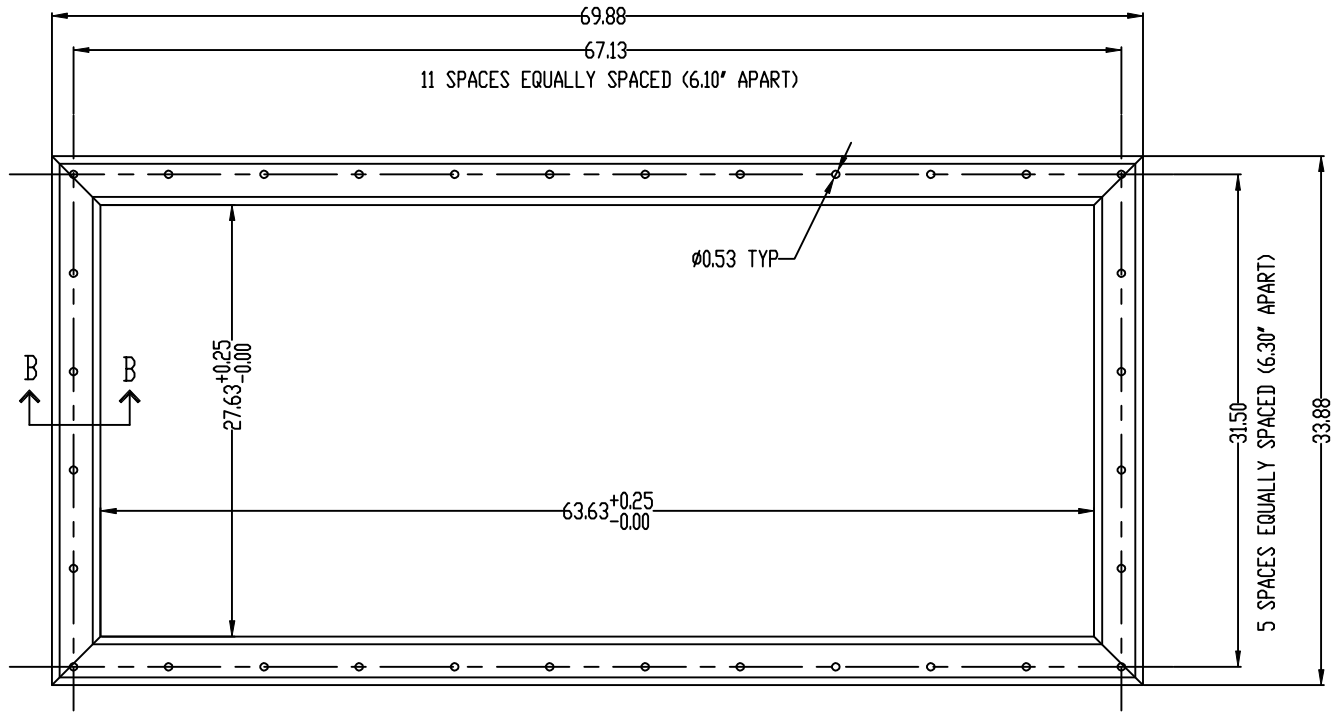
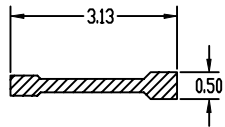


SALES DRAWING



SALES DRAWING



SECTION B-B

UNLESS OTHERWISE SPECIFIED DIMENSIONAL TOLERANCES	SALCO PRODUCTS			
	FRACTIONAL ±1/16	DRAWN BY: CLH	CHECKED BY: JDG	SCALE: NOTED
.XX ±.03	MATERIAL: FDA WHITE VINYL 65 TO 70 SHORE A DUROMETER			
.XXX ±.015	PART NAME: YSD-271-M STYLE			
ANGULAR ±1°	OUTLET GATE GASKET			
THIS PRINT, PROPERTY OF SALCO PRODUCTS INC. CONTAINS PROPRIETARY INFORMATION AND MUST NOT BE COPIED, REPRODUCED, OR USED RETROACTIVELY TO OUR INTEREST.	PROJECT# 961101	PROTOTYPE AND DATE: CLH 11/1/96	APPROVED FOR PRODUCTION: MBM	
	THIRD ANGLE PROJECTION 	DRAWING # D8440	PART #: GG271M	